

The Domino S300+

Compact, high-power scribing laser designed for high speed coding on a wide range of surfaces including PET, glass and labels.



Key Benefits:

High Quality Codes

- Consistent, permanent clear codes from simple single-line batch codes to multiple lines with real-time data
- Flexible code design, including the ability to mark serial numbers, batch codes, bar codes, 2D codes, fonts and graphics in any orientation
- Precise, letter-quality codes even at high production speeds
- Produces two lines of code at speeds in excess of 1,000 bottles per minute on PET, and 152 m/minute (500ft/min) on labels
- Produces crisp codes on PET without piercing the product

High Reliability

- Designed for use in demanding production environments
- Low maintenance

Easy to Install

- Small, light laser head can be mounted into tight production spaces and easily adjusted
- Compact control unit can be shelf-mounted for best positioning on production lines

Simple to Use

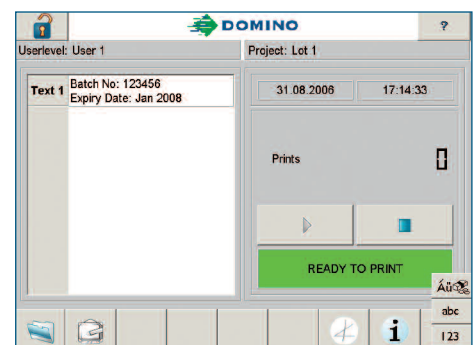
- Visible red aiming beam simplifies laser focusing, code position adjustment
- Colour touch-screen interface and familiar function keys for fast code set up and editing

Main Features:

- Designed to IP55
- High-resolution optics
- Laser beam steered by unique scanning technology
- Compact, light laser head
- Intuitive Windows® based software



Versatile and quality codes



Basic User Interface for simple operation

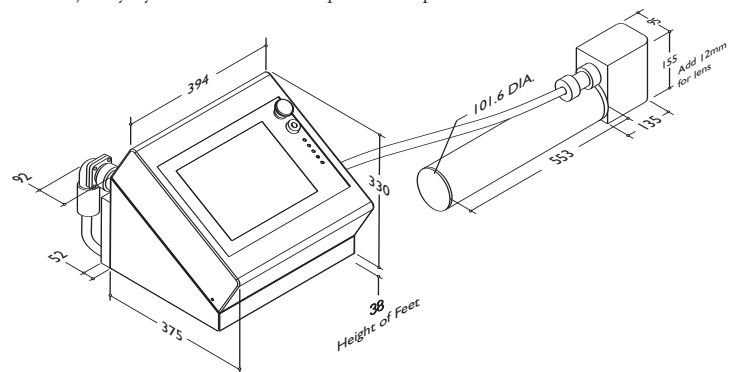
Technical Specification:

	S300+
Laser Type	Sealed CO ₂ Laser
Laser Power	30W
Marking Features	
Characters per Second	800*
Product Line Speed	Up to 305 m/min* (1000 ft/min*)
Number of lines of text	As many as required
Character Height	0.8 – 76 mm (0.03"-3.0")
Fonts	24 fonts, multi-language, including Asian characters
Marking Options	Text, logos, bar codes, 2D codes, graphics, automatic serial numbering, batch coding and real time clocks
Marking Field	56x56 mm (2.2"x2.2"), Focal Length 89 mm (3.5")
& Focal Length	76x76 mm (3.0"x3.0"), Focal Length 127 mm (5.0")
User Interface	12.1" colour touch screen with WYSIWYG and SVGA quality (800 x 600 mm resolution) display control language in English, German, French, Spanish, Dutch, Danish, Polish, Portuguese, Italian, Hungarian, Korean, Russian, Swedish, Chinese (Simplified), Czech, Finnish and Japanese
Operating System	Microsoft Windows ® XPe
Laser Head	Stainless steel (304)
Weight & Dimensions	10.9 Kg (24 lbs), L x H x W: 688 x 167 x 107mm, (27.09 x 6.57 x 4.21"), including lens
Control Cabinet	Stainless steel (304)
Weight & Dimensions	18 Kg (40 lbs), D x H x W: 427 x 368 x 394 mm (16.81 x 14.49 x 15.51")
Conduit Length	3 m (9.85 ft), 6 m (19.69 ft) optional
Inputs & Outputs	
Product Detect Inputs	NPN/PNP/ 2V - sensor
Product Speed Detect	Quadrature shaft encoder
Signal Inputs	External E-stop, interlock circuits, 9 configurable user inputs
Signal Outputs	Alarm, ready signal, fume extraction control, cooling air solenoid control, E-stop status, print complete, 3 configurable user output
Interfaces	PS2, VGA, RS232, Ethernet, USB, IDE
Electrical Requirements	90 – 264 VAC, 47 – 63Hz, 600VA typical
Environment	
Cooling	Compressed air required typically 7 SCFM (200 litres/min) duty cycle and ambient temperature dependent
Environmental Standard	IP55, CE mark
Operating Temperature	5 to 45°C (41 to 113°F)
Operating Humidity	10 – 95% non-condensing
Options	Laser head mounting bracket, control cabinet stand, alarm beacon, fume extractor, air filtration kit

*Character generation and production speeds are substrate and code dependent

Dimensions

All dimensions in millimetres



Australia

Domino (Australia) Pty. Ltd.
1, Neutron Place
Rowville
Melbourne
Victoria 3178
Australia
Tel: + 61 3 9764 8485

Canada

Domino Printing
Solutions Inc.
2751 Coventry Road
Oakville
Ontario
L6H 5V9
Tel: + 1 800 387 7972

India

Domino Printech India
Private Limited
167, Udyog Vihar Phase I,
H.S.I.D.C Gurgaon -
122016 Haryana
Tel: + 91 124 500 7406

United Arab Emirates

Domino UK Ltd (Dubai)
PO Box 16984
Jebel Ali
Dubai
Tel: + 971 4 88 35003

United Kingdom

Domino UK Ltd
Bar Hill
Cambridge
CB23 8TU
Tel: + 44 1954 782 551

United States of America

Domino Amjet, Inc.
1290 Lakeside Drive
Gurnee
Illinois 60031
Tel: + 1 800 486 7414



www.domino-printing.com